

limit switch connector:  
JST SM04B-SURS-TF(LF)

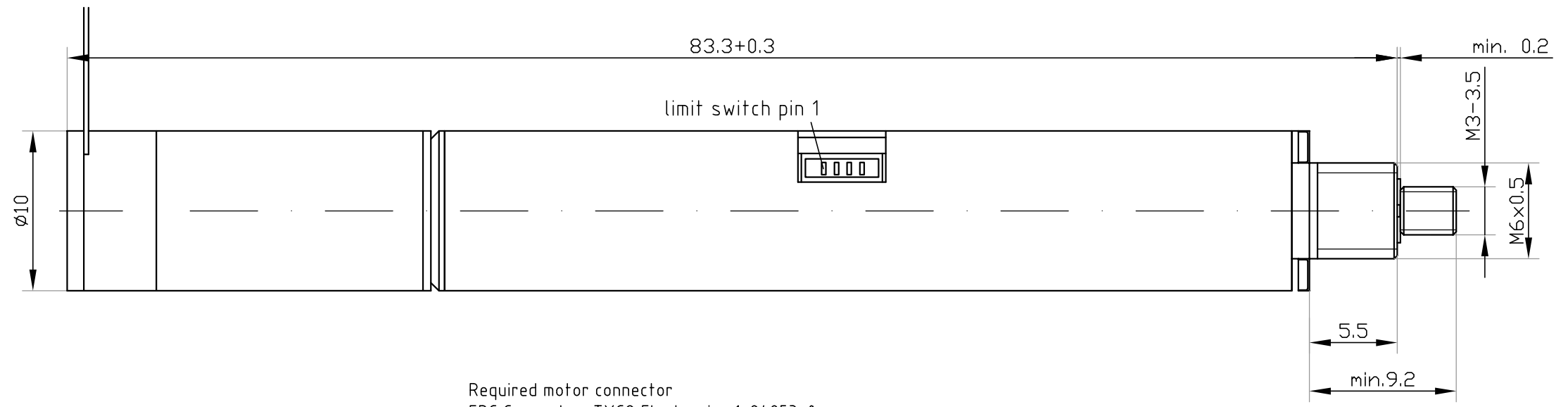
cable:  
JST 04SUR-04SUR-32W150  
AWG32, 4-poles, 150mm, pitch 0.8mm

Pin assignment:  
1 neg. limit switch  
2 GND  
3 pos. limit switch  
4 Vcc (+5V...12V)

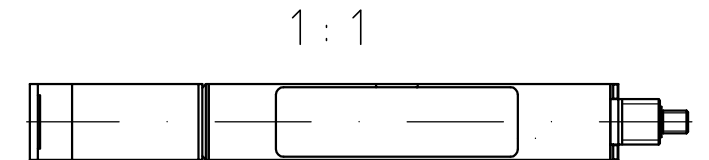
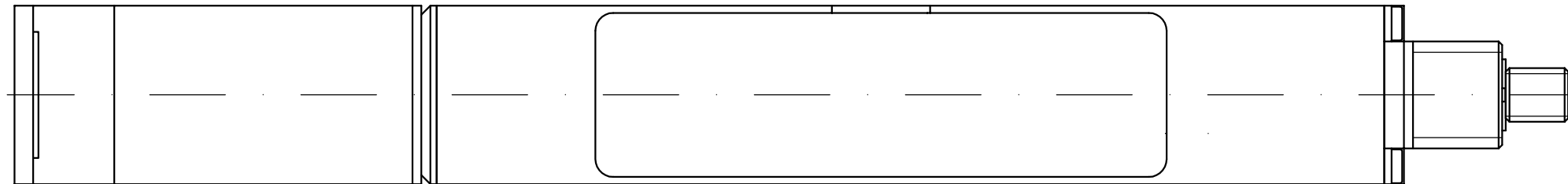
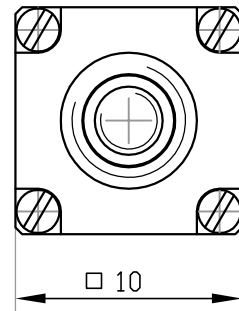
Motor cable  
Flexprint cable 80±3mm, Pitch 1mm

Motor cable pin assignment

1 Motor+  
2 Vcc (+5V)  
3 GND  
4 Motor-  
5 Encoder A\  
6 Encoder A  
7 Encoder B\  
8 Encoder B  
9 n.c.  
10 n.c.



Required motor connector  
FPC Connector, TYCO Electronics 1-84953-0



Subject to change without notice  
Dimensions in mm

Technical data: (preliminary)  
Motor: DC-brush Ø10mm / 12V / 0.75W.  
Encoder: 2 lines, 256 pulses/rev.  
Uni-directional repeatability: ±1µm  
Gearbox: MPG-10-40  
Gear ratio: 40:1  
Pitch: 0.4mm  
max. speed: 2 mm/sec  
Travel range: 25mm  
max. Load: 12N  
2 Digital sensors integrated as limit switches useable  
Ambient Temp.: -20...+65°C

<b>Micromotion PROPERTY</b> <small>Diese Zeichnung ist unser geistiges Eigentum und darf ohne unsere Einwilligung weder kopiert, vervielfältigt noch an dritte weitergegeben werden.</small>		<small>This drawing and information herein is our property and is to be used in strict confidence. It shall not be copied or given to any third party without our written permission.</small>		<b>Allgemeintoleranzen / General Tolerances: ISO 2768-f</b> <table border="1"> <tr> <td>0,5</td><td>3</td><td>6</td><td>30</td><td>120</td><td>400</td><td>1000</td><td>2000</td> </tr> <tr> <td>3</td><td>6</td><td>30</td><td>120</td><td>400</td><td>1000</td><td>2000</td><td>4000</td> </tr> <tr> <td>±0.05</td><td>±0.05</td><td>±0.1</td><td>±0.15</td><td>±0.2</td><td>±0.3</td><td>±0.5</td><td>/</td> </tr> </table>		0,5	3	6	30	120	400	1000	2000	3	6	30	120	400	1000	2000	4000	±0.05	±0.05	±0.1	±0.15	±0.2	±0.3	±0.5	/			<b>Micromotion GmbH</b> An der Fahrt 13 Tel.: +49 (0)6131 66927-0 55124 Mainz Fax: +49 (0)6131 66927-20 Germany	
0,5	3	6	30	120	400	1000	2000																										
3	6	30	120	400	1000	2000	4000																										
±0.05	±0.05	±0.1	±0.15	±0.2	±0.3	±0.5	/																										
Ersatz für / Replacement for:				Maßstab / Scale		(Gewicht / Weight)																											
Ersetzt durch / Replaced by:				3 : 1																													
Datum / Date		Name		(Benennung / Title)																													
Bear. Drawn		21.11.08		Deumlich																													
Gepr. Checked		21.11.08		Degen																													
Norm Standard				MLP-10-40-25-DC-SPM0019																													
Status				(Zeichnungsnummer / drawing number)																													
Zus/Rev		Änderung / Modification		Datum/Date		Name																											
						C-120242.0A-100-009																											
							Blatt/Sheet	1																									
								1 BL/SH																									